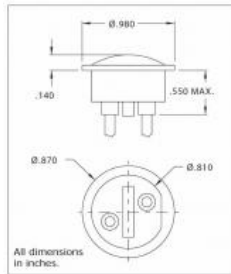




Products

Neon & Incandescent Indicators

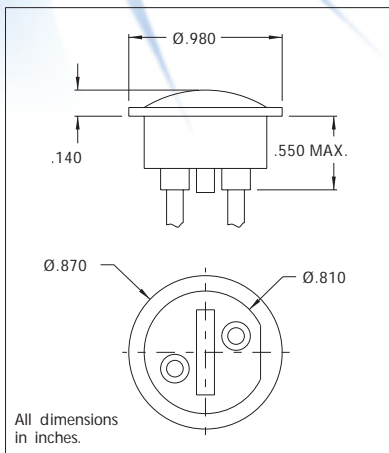
CML IT offers panel mount indicators manufactured with LED, Neon or Incandescent light sources. These indicators are available in a number of different lens and termination styles, with voltages of 2V ~ 250V available off-the-shelf.



Part Number: 2620K3
Serial Number: 2620
Light Source: Neon
Color: Amber
Voltage (V): 125VAC
Mounting Hole (inch): 0.88
Mounting Hole (metric): 22.22
Termination: 4.5" 22 AWG wire
Bezel color: White
Housing color: White
UL file: E20325
CSA file: LR13346
RoHS Status: Yes

2620K and 2622K Series Non-Relampable Neon Indicator Light

DESCRIPTION AND FEATURES



Mounting: Supplied with speednut SN2089.
 Mounting hole pattern on page SP2.

Wire Leads: No.22 AWG (105°C),
 4.40/4.80 long, stripped .430/.570

Lens: Polycarbonate

Bezel: White nylon.
 For black finish add "X" after the
 series letter(s).

Housing: White Nylon

Lens Color	Neon
	Model No. (105-125VAC) Wire Leads
Red	2620K 1
Amber	2620K 3
White	2620K 3
Green	2622K 5*
Lamp used	C 2A+R resistor

*Incorporates G2B lamp and resistor
 Underwriters Laboratories (UL) File No. E20325
 Canadian Standards Association (CSA) File No. LR13346